

1
7

2

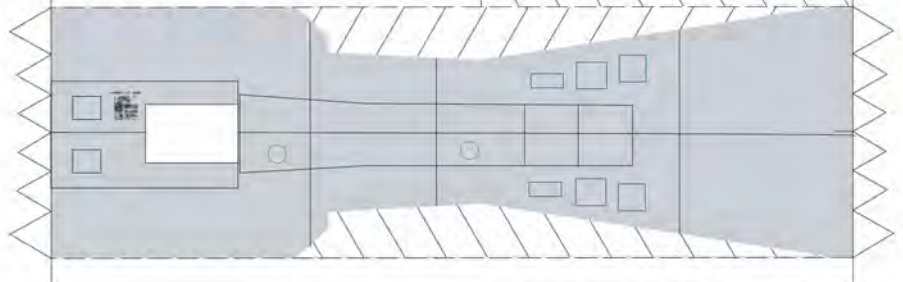
6

3

9

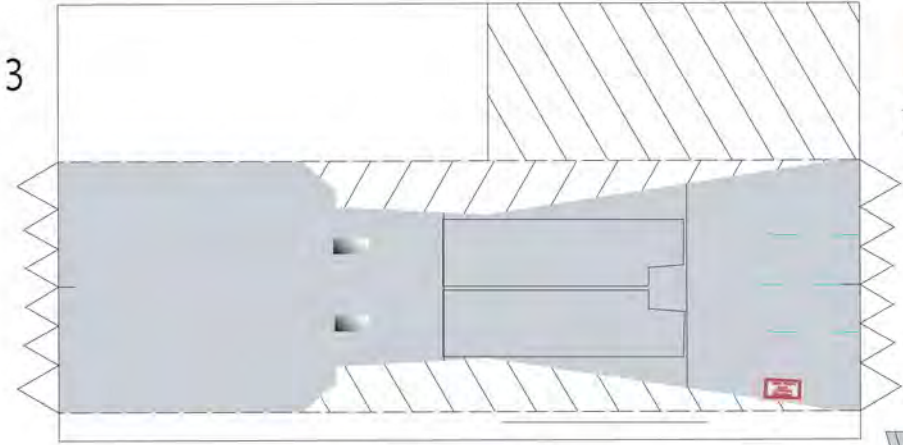


8



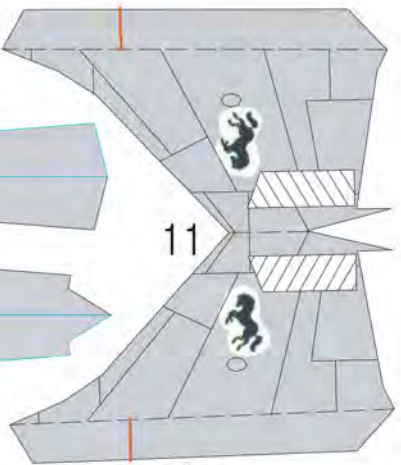
10

11



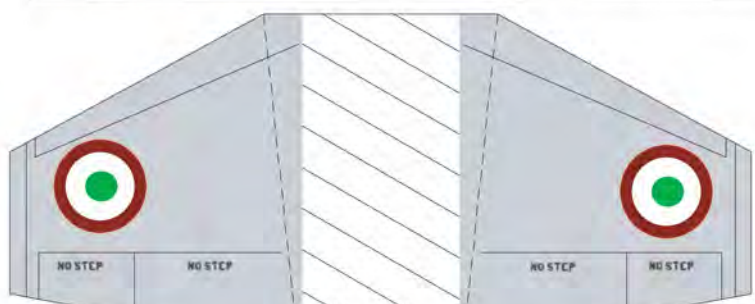
13

12



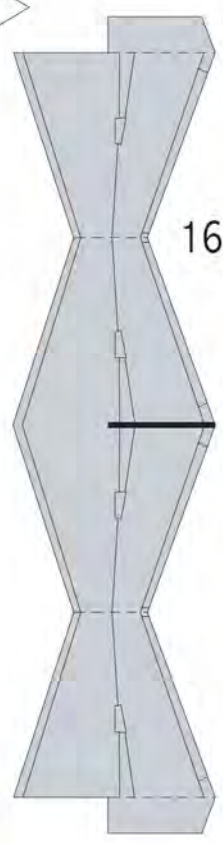
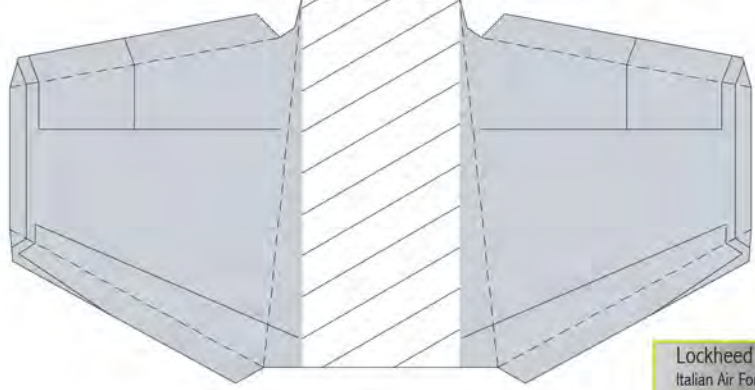
14

www.luigisaso.it

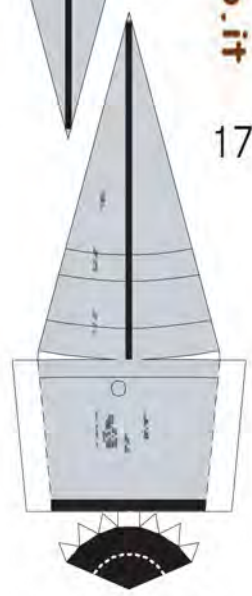


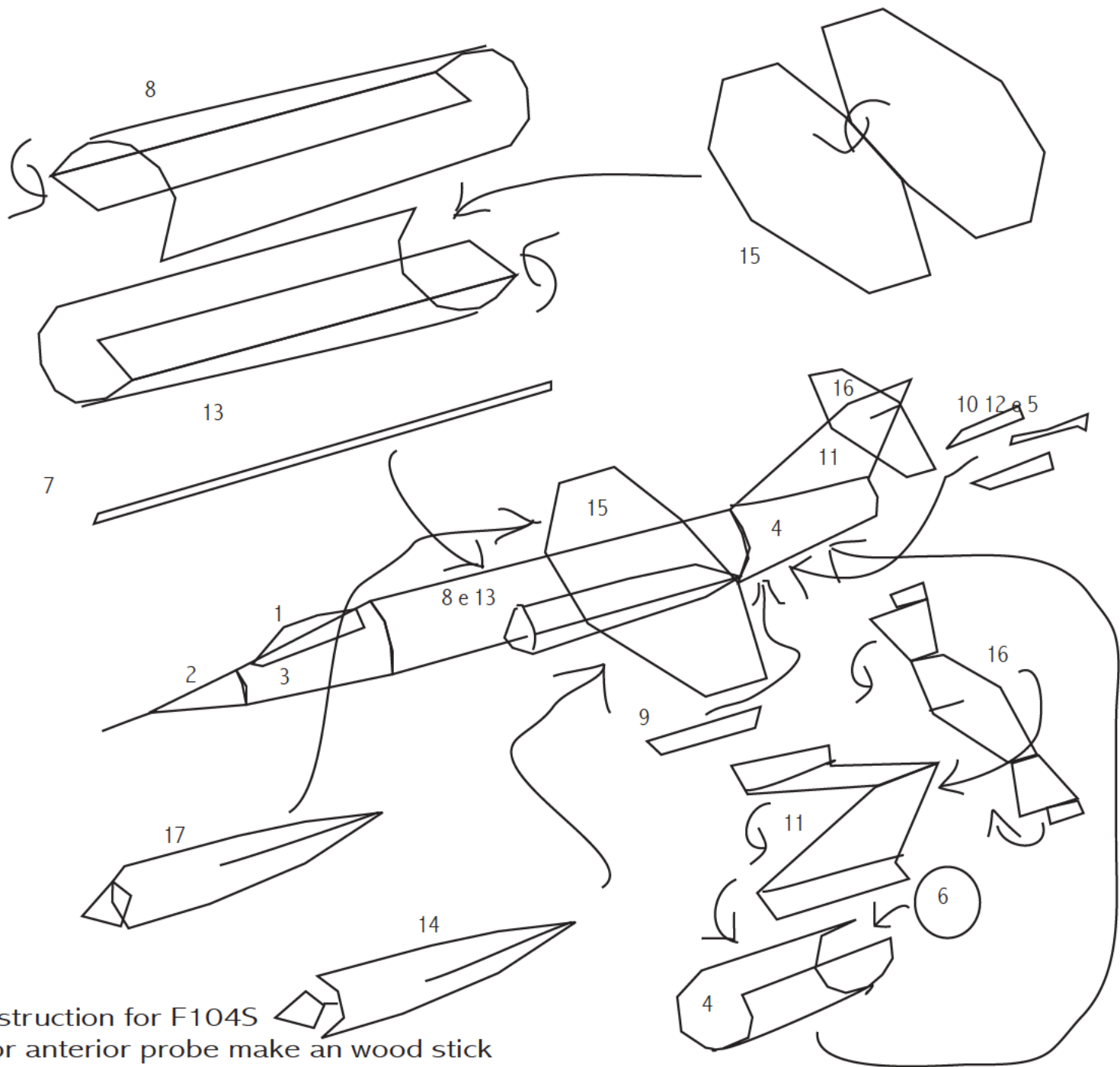
15

16



17





Instruction for F104S
 For anterior probe make an wood stick
 For stand: Airplane Stand from Fiddlers Green at:
<http://www.fiddlersgreen.net/aircraft/jets/jets.htm>

photo

